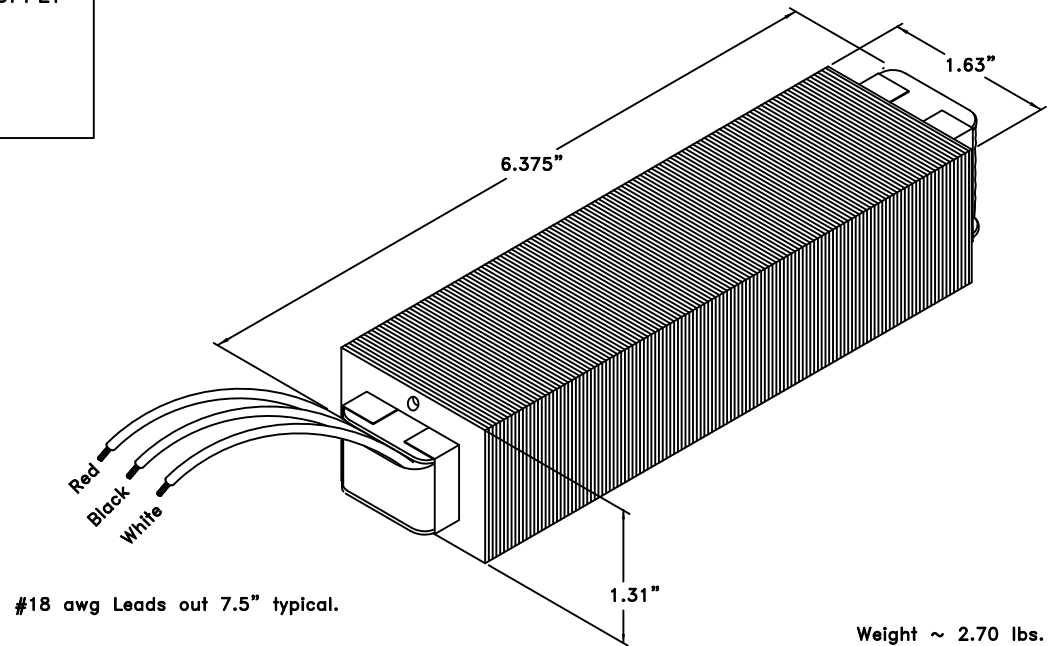
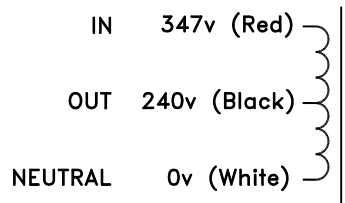


Transformer Schematic



Weight ~ 2.70 lbs.

SPECIFICATIONS:

UL Recognized to CSA C22.2 No. 66.1, 66.2 and UL5085-1, UL5085-2.

Primary/Input: 347V, 60Hz, 260W, 0.75A @ Full/Rated Load.

Secondary/Output:

- Open Circuit= 240V ±2% , 4.3W
- Full/Rated Load= 230V ±2% , 240VA (240W/1.05A resistive load)

DC Resistance

- Primary (white-red): 50 ohms nominal.
- Secondary (white-black): 43 ohms nominal.

Dielectric Strength: Winding to Core 3000V, 60Hz, 1 sec.

Load Regulation: 4% typ.

Efficiency: 93% typ. @ 347Vin, 240VA load.

Insulation System: UL Recognized for Class B (130°C).

Environmental Temperature Rating: -40°C to +50°C.

Surface Temperature Rise (typ): 64°C @ 25°C Ambient.

MTBF (based on MIL Handbook 217F): Min 50 yrs @ rated specification.

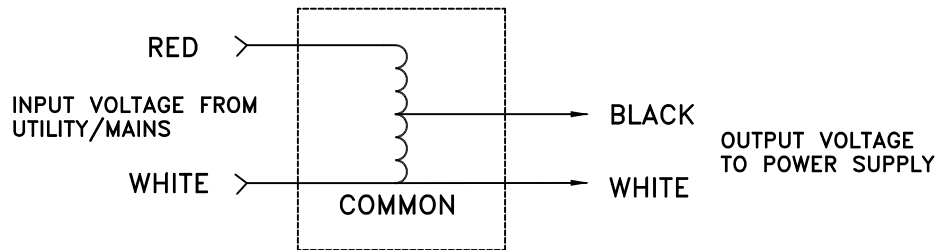


TITLE: _____ DATE: 06/30/20

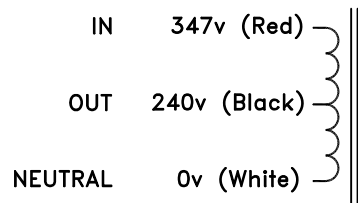
210043 OUTLINE DRAWING



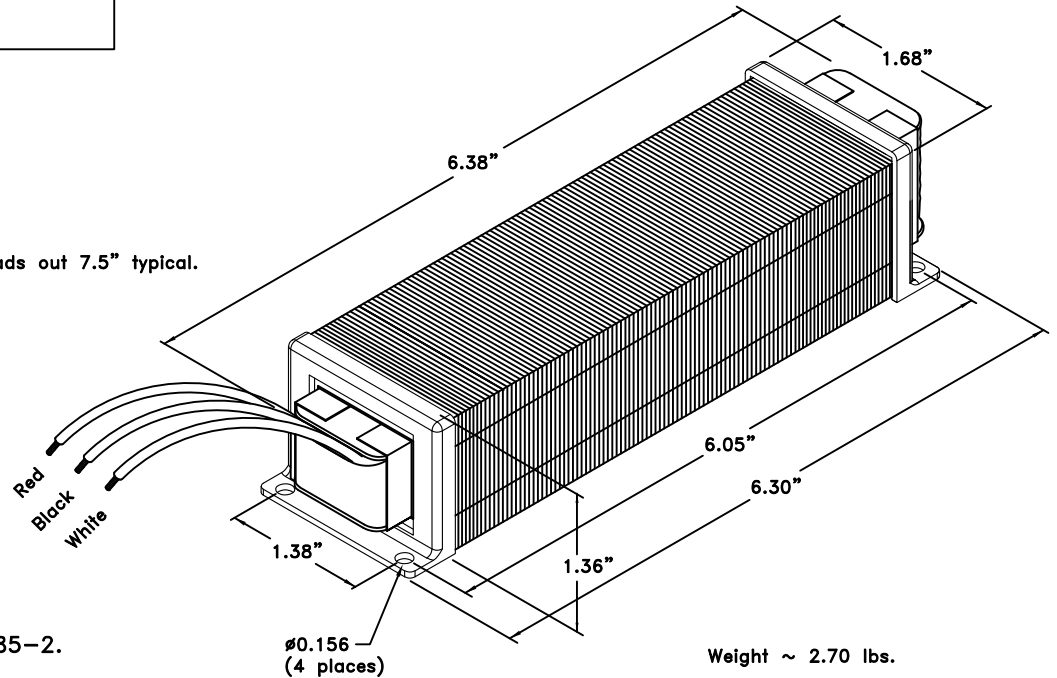
AUTOTRANSFORMER



Transformer Schematic



#18 awg Leads out 7.5" typical.



SPECIFICATIONS:

UL Recognized to CSA C22.2 No. 66.1, 66.2 and UL5085-1, UL5085-2.

Primary/Input: 347V, 60Hz, 260W, 0.75A @ Full/Rated Load.

Secondary/Output:

- Open Circuit= 240V $\pm 2\%$, 4.3W
- Full/Rated Load= 230V $\pm 2\%$, 240VA (240W/1.05A resistive load)

DC Resistance

- Primary (white-red): 50 ohms nominal.
- Secondary (white-black): 43 ohms nominal.

Dielectric Strength: Winding to Core 3000V, 60Hz, 1 sec.

Load Regulation: 4% typ.

Efficiency: 93% typ. @ 347Vin, 240VA load.

Insulation System: UL Recognized for Class B (130°C).

Environmental Temperature Rating: -40°C to +50°C.

Surface Temperature Rise (typ): 64°C @ 25°C Ambient.

MTBF (based on MIL Handbook 217F): Min 50 yrs @ rated specification.



TITLE:

DATE: 06/30/20

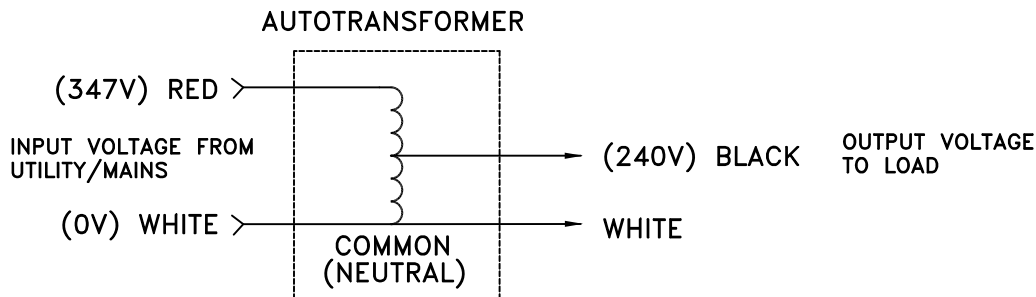
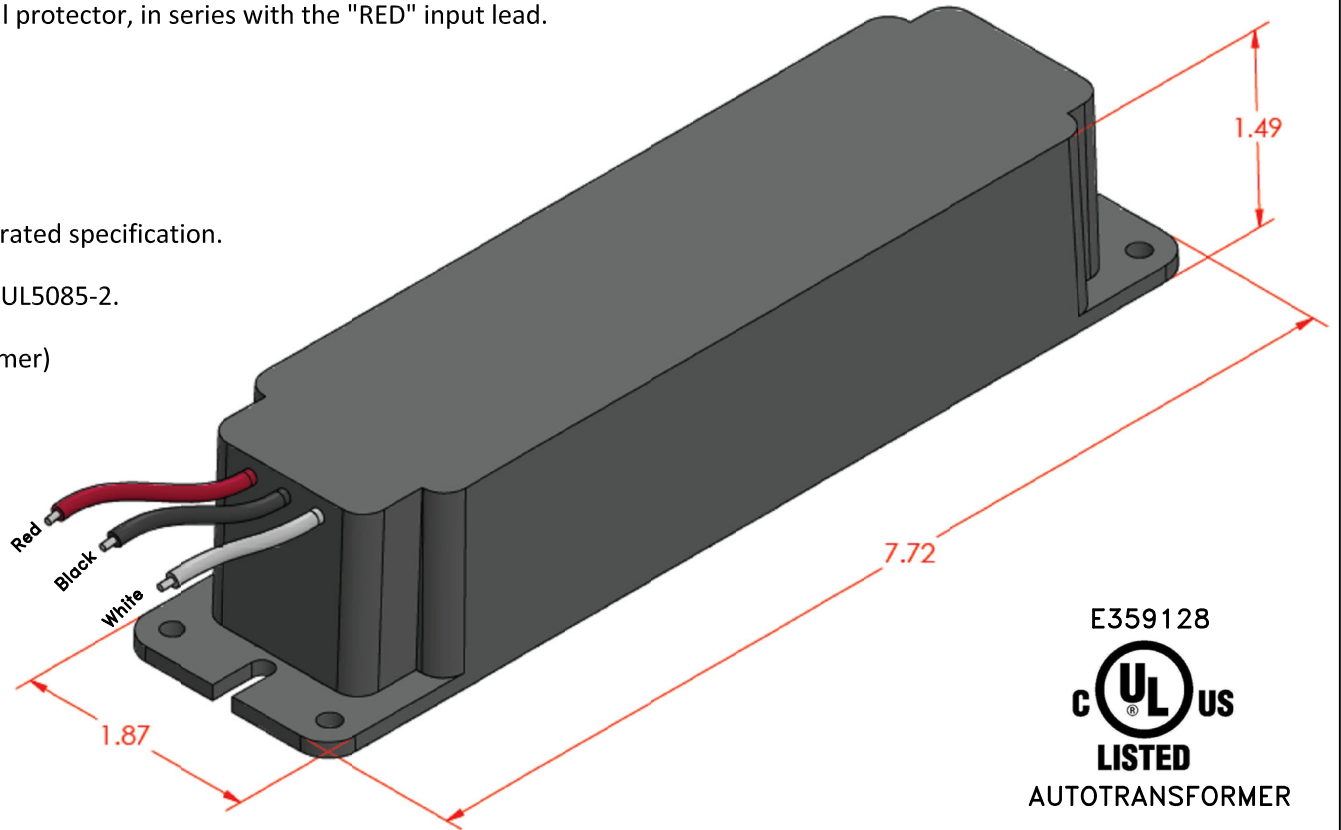
210043M OUTLINE DRAWING



SPECIFICATIONS OF MODELS: 210043EB, 210043FB

Primary/Input				Secondary/Output				Nominal Resistance (Ω)		Dielectric Strength (Winding to Core)			Load Regulation (Typical)	Efficiency @ Full Load (Typical)	Surface Temp. @25° Amb. (°C)
@ Full/Rated Load				@ Open Circuit		@ Full/Rated Load		Pri.	Sec.	Voltage (V)	Freq. (Hz)	Duration (Sec)			
Voltage (V)	Freq. (Hz)	Watts (W)	Current (A)	Voltage (V)	Watts (W)	Voltage (V)	VA (W)								
347	60	232	0.68	240 ± 2%	3.5	231 ± 2%	220	50	43	3000	60	1	3.8%	94.8%	59

- Version "FB" has an internal auto-reset 110°C thermal protector, in series with the "RED" input lead.
- Version "EB" does not have an internal fuse.
- Environmental Temp. (°C):
Versions "EB" and "FB" ---> -40 to +50°C
- MTBF (based on MIL Handbook 217F): Min 50 yrs @ rated specification.
- UL Listed to CSA C22.2 No. 66.1, 66.2, and UL5085-1, UL5085-2.
- Housing - Black Rynite FR530 (fire retardant PET polymer)
- All #18 AWG lead wires measure to 7" long (typ.)
- Suitable for IP66 rated applications.
(Not investigated by UL)
- Weight: ~3.0 lbs



Electrical Connection:

Connect the Red/White leads to the Supply and the Black/White leads to the Load per the Autotransformer drawing to the left.
Note: The White lead is the Neutral, and is common to both the Input Supply and Output to Load.

TITLE: _____ DATE: 06/26/20

ENCLOSED MODEL 210043 OUTLINE

