



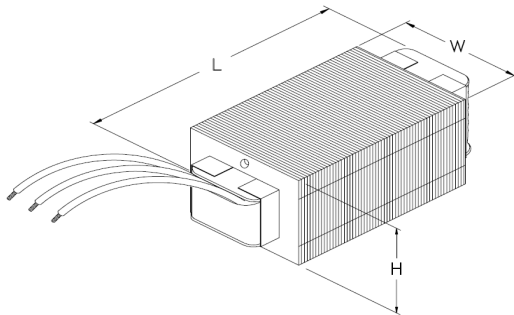
**E Craftsmen**  
CUSTOM TRANSFORMERS AND INDUCTORS

# "SLIM-LINE" AUTOTRANSFORMERS

- Unique, low-profile form factor – low height, narrow width (*similar to a standard ballast*)
- 347:240V; 347:120V; 480:240V
- Power rating to 240VA
- CSA Certified (class 105°C insulation)
- Reliable construction - built to last
- Standard & custom brackets available



Model 210042 347:240V, 100 VA



*Ideal for supply to ...*

- Fluorescent to LED retrofit applications
- LED auto-ranging drivers & supplies.
- Industrial, Commercial & Office lighting installations

*Numerous other design configurations are also available upon request – contact us!*

Model	Input V	Output V no load ±2%	Output V full load ±2%	Power VA	Load Regulation (typ)	Efficiency (typ)	Length (inches)	Width (inches)	Height (inches)	Weight (lbs)
210041	347	240	225	50	6.5%	94%	1.85	1.63	1.31	0.6
210042	347	240	230	100	4.0%	92.6%	3.35	1.63	1.31	1.3
210043	347	240	230	240	4.0%	93%	6.38	1.63	1.31	2.8
210100	347	130	115	25	11.5%	84%	1.85	1.63	1.31	0.6
210097	347	125	115	60	9.0%	86%	3.35	1.63	1.31	1.3
210098	347	125	115	125	7.25%	87.5%	6.38	1.63	1.31	2.8
210099	480	245	225	75	7.5%	93%	3.35	1.63	1.31	1.3
210083	480	240	225	170	6.0%	90%	6.38	1.63	1.31	2.8
210158	120	240	215	35	10%	82%	1.85	1.63	1.31	0.6

▪ 18AWG leads out 5" (or to specification)



AS 9100  
QMI-SAI Global



ISO 9001  
QMI-SAI Global



## SCHEMATIC



73 Schaefer Street, Waterloo, Ontario, Canada N2L4C4

Tel: 519-884-2210 • Toll Free: 1-800-565-9118 • [bgray@ecraftsmen.com](mailto:bgray@ecraftsmen.com) • [www.ecraftsmen.com](http://www.ecraftsmen.com)